

Insert Carbide Adjustable Chamfer

RC-2375

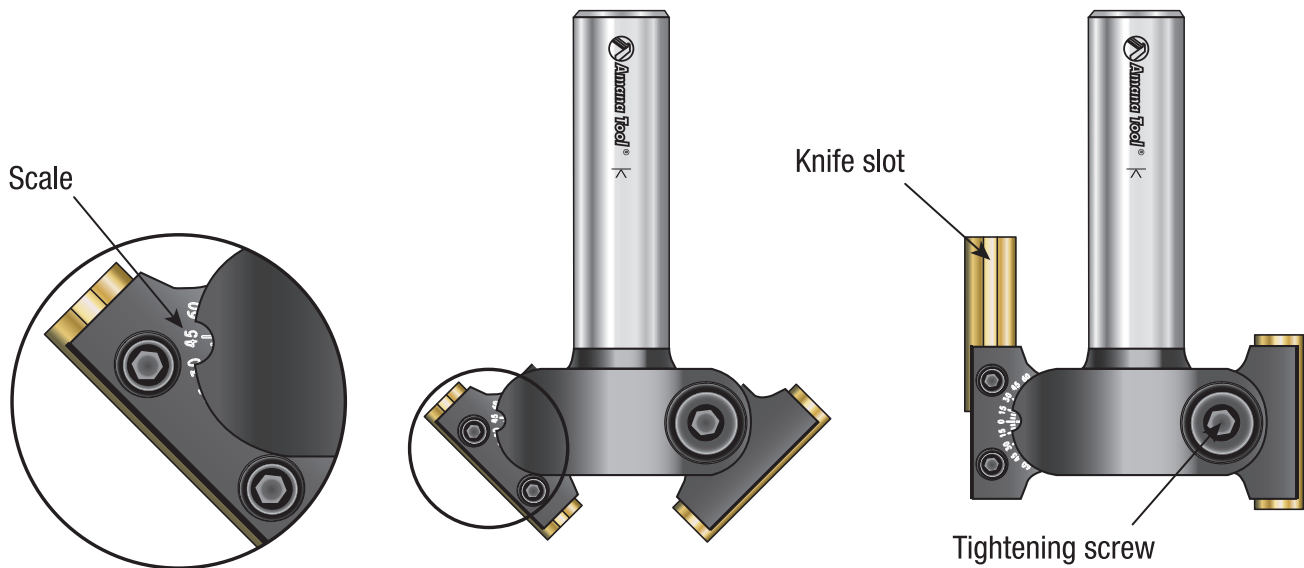
Adjustable chamfer cutter

1. The cutter can be adjusted with the help of the 15° holes pattern to the following angles:
-45°, -30°, -15°, 0, +15°, +30°, +45°, +60°, +75°, +90°

How to adjust

1. Open the tightening screw with an Allen #4 key.
2. Move the wedge to the required position with the help of the scale.
(Not all angles are marked but the pattern exists.)
3. As soon as you position the wedge in the required position gently close the screw and make sure that the wedge did not move.
4. Tighten the screw.

▲ Warning: Use hide leather gloves when handling tool.



How should you replace the knife?

1. Open the Allen screw with the help of Allen #2 key.
2. Take out the old knife.
3. Insert the new knife inside the slot make sure that the knife slot is in the direction of the screw.
4. Center the knife in relation to the wedge.
5. Close the Allen screw tightly.